

## Features/Specifications

### FEATURES

- Network protocols: UDP/TCP, DHCP
- Status LEDs: Ethernet, power on, cellular link/activity, signal strength (4 bars)
- Device-initiated RealPort® COM port redirector and RFC2217
- Security - SSL, SSHv2, FIPS 197 (serial port)
- Python scripting, custom development environment

#### Router/Firewall Features

- NAT
- NAT-T (NAT traversal) VPN tunneling
- Port forwarding
- Access control lists (IP filtering)
- IP pass-through
- Virtual Router Redundancy Protocol (VRRP) per RFC 3768

#### VPN Features

- IPsec with IKE/ISAKMP
- Multiple tunnel support
- DES, 3DES and up to 256-bit AES Encryption
- Simple Certificate Enrollment Protocol (SCEP) for X.509 certificates
- VPN pass-through, GRE

#### Management

- HTTP/HTTPS, CLI or Telnet
- Optional secure enterprise management via Digi Connectware Manager

### INTERFACES

#### Serial

- 2 RS-232 DB-9M serial ports (ConnectPort WAN VPN/Express)
- 1 RS-232 DB-9 serial port (ConnectPort WAN Wi, ConnectPort WAN GPS)
- Throughput up to 230 Kbps
- Full signal support for TXD, RXD, RTS, CTS, DTR, DSR and DCD
- Hardware and software flow control

#### USB

- 2 USB Type A connectors
- See [www.digi.com](http://www.digi.com) for a list of supported USB devices

#### Ethernet

- 4 RJ-45 switch ports (ConnectPort WAN VPN/Express)
- 1 RJ-45 switch port (ConnectPort WAN Wi, ConnectPort WAN GPS)
- Standard: IEEE 802.3
- Physical Layer: 10/100Base-T
- Data rate: 10/100 Mbps (auto-sensing)
- Mode: full or half duplex (auto-sensing)

#### Cellular

##### Upgradeable Interfaces

##### PC Card

### INTERFACES (CONTINUED)

- 16/32-bit Type 2 PCMCIA Card Slot
- Sierra Wireless Aircard UMTS/HSDPA/HSUPA PCMCIA Card
  - 881 - North American Carriers
  - 880 - European Carriers
  - 875 - Worldwide Carriers
  - 860 - North American Carriers
  - 850 - European Carriers

#### PCI Express Module

- Sierra Wireless 5725 Rev A EV-DO - Sprint/Verizon
  - DualBand 800/1900 MHz with RX Diversity
- Sierra Wireless 8775 3.6 HSDPA
  - UMTS/HSDPA 850/1900/2100 MHz, GSM GPRS/EDGE 850/950/1800/1900 MHz

#### PCI Express Card

- Option GT Express 7.2 HSDPA
- Sierra Wireless AC880E / AC885E HSUPA
- Option GT Express HSUPA
- 1 or 2 external 50 ohm female SMA connectors (see model # for antenna count)

#### Wi-Fi

- Standard: IEEE 802.11b/g
- Frequency: 2.4 GHz
- Data rate: Up to 54 Mbps with automatic rate fallback
- Transmit power: 15 dBm  $\pm$  2 dBm
- Receiver sensitivity: -71 dBm @ 54Mbps, -81 dBm @ 11 Mbps, -88 dBm @ 6 Mbps, -93 dBm @ 1 Mbps
- WLAN security
  - WEP: 64/128-bit encryption (RC4)
  - WPA/WPA2/802.11i:
    - 128-bit TKIP/CCMP (AES) encryption
    - Enterprise mode (802.1X)
      - LEAP (WEP only), PEAP, TTLS, TLS
      - GTC, MD5, OTP, PAP, CHAP, MSCHAP, MSCHAPv2, TTLS-MSCHAPv2
    - Pre-shared key mode (PSK)
- Antenna: 1 external 50 ohm male SMA connector

#### GPS

- 2.5 m CEP accuracy
- Supports NMEA protocol
  - 148 dBm acquisition sensitivity
- 36 sec acquisition time on cold start
- 4 Hz max update rate
- Antenna: 1 external 50 ohm male SMA connector

### DIMENSIONS

- Width: 4.11 in (10.40 cm)
- Height: 1.30 in (3.30 cm)
- Length: 7.75 in (19.7 cm)
- Weight: 1.40 lb (0.64 kg)
- Weight: 1.50 lb (0.68 kg) with a module

### REGULATORY APPROVALS

- Safety: UL 60950, CSA 22.2 No. 60950, EN60950
- Emissions/Immunity: CE, FCC Part 15 (Class A), AS/NZS CISPR 22, EN55024, EN55022, Class A
- Mobile Certifications - CDMA/EV-DO: CDG, TIA/EIA-690, TIA/EIA-98-E
- Mobile Certifications - GSM/UMTS: PTCRB, NAPRD.03, GCF-CC, R&TTE, EN 301 511

### POWER REQUIREMENTS

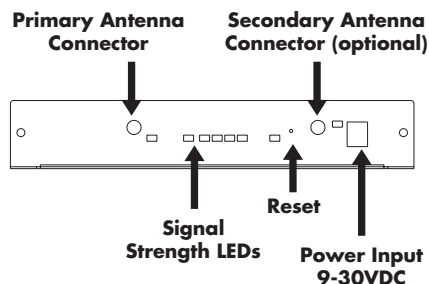
- Power input: 9-30VDC
- 12VDC power supply for 0° C to +60° C (32° F to +140° F) with locking barrel connector included; extended temperature available
- Power consumption: Idle: 3.1 W, Max: 11.5 W
- Surge protection (with included power supply): 4 kV burst (EFT) per EN61000-4-4, 2 kV surge per EN61000-4-5

### ENVIRONMENTAL

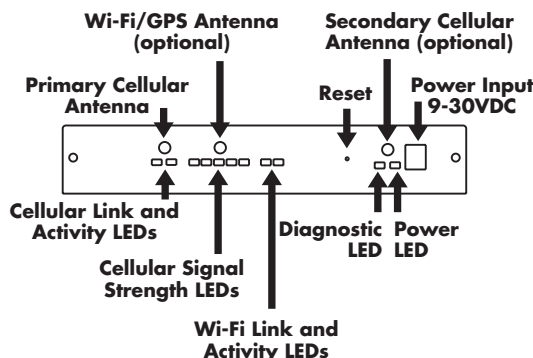
- Operating temperature: -30° C to +60° C (-22° F to +140° F)  
Note: Only applicable for devices shipping with embedded module
- Relative humidity: 5% to 95% (non-condensing)
- Ethernet isolation: 1500VAC min per IEEE802.3/ANSI X3.263
- Serial port protection (ESD): +15 kV Air Gap and +8 kV contact discharge per EN61000-4-2

## Features/Specifications

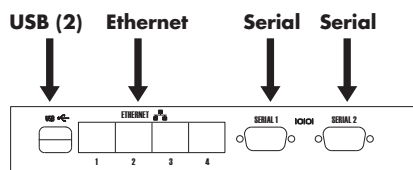
### ConnectPort WAN VPN/Express - Front



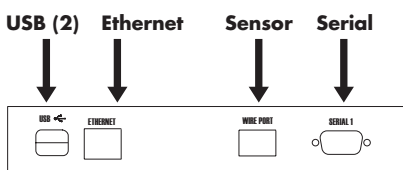
### ConnectPort WAN Wi/GPS - Front



### ConnectPort WAN VPN/Express - Back



### ConnectPort WAN Wi/GPS - Back



MODEL.....PART NUMBERS

#### Carrier-Approved

	AT&T	International	Sprint	Verizon	Generic
	Embedded PCI Express AT&T MC8775 Module (1 cellular antenna included)	Embedded PCI Express MC8775 Module (1 cellular antenna included)	Embedded PCI Express Sprint MC5725 Module (2 cellular antennas included)	Embedded PCI Express Verizon 5725 Module (2 cellular antennas included)	Embedded PCI Express Generic MC8775 Module (1 cellular antenna included)
<b>ConnectPort WAN VPN</b>	CP-WAN-B302-A	CP-WAN-B309-W	CP-WAN-B310-A	CP-WAN-B311-A	CP-WAN-B301-A
<b>ConnectPort WAN Wi</b> (1 Wi-Fi desktop antenna, 2.4 GHz)	CP-WAN-W402-A	CP-WAN-W409-W	CP-WAN-W410-A	CP-WAN-W411-A	CP-WAN-W401-A
<b>ConnectPort WAN GPS</b> (1 magnetic mount GPS antenna)	CP-WAN-G402-A	CP-WAN-G409-W	CP-WAN-G410-A	CP-WAN-G411-A	CP-WAN-G401-A

#### Cellular-Ready

	North America	International
	US Power Supply and 1 Cellular Antenna Included	International Power Supply and 1 Cellular Antenna Included, No Power Cord
<b>ConnectPort WAN VPN</b> (For PC cards, no PC card included)	CP-WAN-A300-A	CP-WAN-A300-W
<b>ConnectPort WAN VPN</b> (For PCI Express modules, no module included)	CP-WAN-B300-A	CP-WAN-B300-W
<b>ConnectPort WAN Express</b> (For PCI Express cards, no card included)	CP-WAN-X400-A (Coming Soon)	CP-WAN-X400-W (Coming Soon)

**DIGI SERVICE AND SUPPORT** - You can purchase with confidence knowing that Digi is here to support you with expert technical support and a strong five-year warranty. [www.digi.com/support](http://www.digi.com/support)

WHEN  
**RELIABILITY**  
MATTERS™

#### Digi International

11001 Bren Road E.  
Minnetonka, MN 55343  
U.S.A.  
PH: 877-912-3444  
952-912-3444  
FX: 952-912-4952  
email: [info@digi.com](mailto:info@digi.com)

© 2005-2008 Digi International Inc.

#### Distributore per l'Italia:



**SARTELCO® SISTEMI SRL**

Via Torri Bianche, 1  
20059 Vimercate (MB)

Tel. +39-039-62905.1 Fax. +39-039-62905.99  
e\_mail [sistemi@sartelco.it](mailto:sistemi@sartelco.it)  
[www.sartelco.it](http://www.sartelco.it)

**Digi International**, the leader in device networking for business, develops reliable products and technologies to connect and securely manage local or remote electronic devices over the network or via the web. With over 20 million ports shipped worldwide since 1985, Digi offers the highest levels of performance, flexibility and quality.

[www.digi.com](http://www.digi.com)

91001355  
C2/1008

