

Wall Mounting for funkwerk W1002 / W2002

Scope of Supply

- 1 Wall mounting bracket
- 4 Screws
- 4 Screw anchors
- 1 Lock (25 mm shackle width)

Wall Mounting the Bracket



Attention!

Before drilling, ensure that there are no house lines (electricity, water, gas, etc.) where you are planning to drill. Drilling into a gas, electrical, water or wastewater line can result in injury to life and limb or considerable material damage.

Screw the bracket on to the wall using the supplied screws and screw anchors.

Mounting the Device

1. In order to mount the device, slightly fold backwards fitting **1** to obtain space enough to fit in the device.
2. Fit the device into slot **2**. Ensure that all connectors of the device are accessible.
3. Let the top side of the device snap into fitting **1**.
4. Secure the device against theft using the supplied lock.

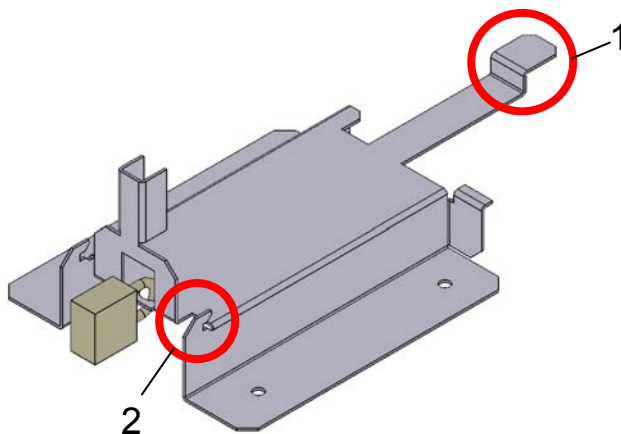


Figure 2: Wall mounting bracket

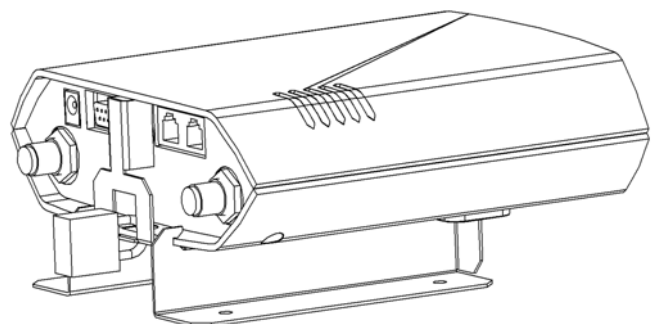


Figure 2: Bracket with mounted device

Removing the Device

1. Unlock the lock in order to able to remove the device.
2. Slightly fold backwards fitting **1**.
3. Remove the device from the bracket.