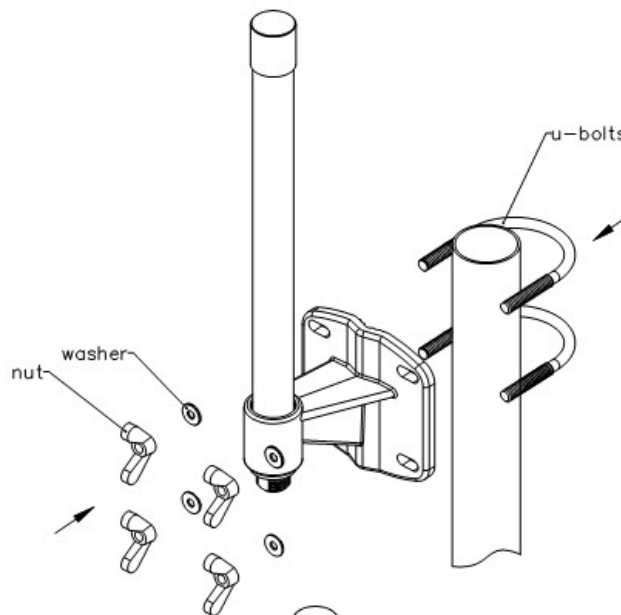
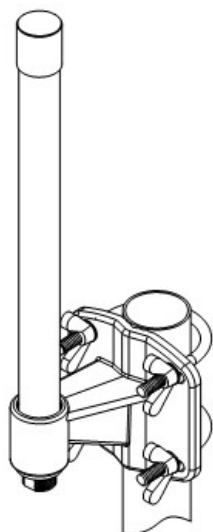


**ANT-Omni-8,5-2G: Product Number: 600526**  
**Installation Guide**



**Specification :**  
**Frequency range :** 2400-2500MHz  
**Gain :** 8..5±0.5dBi  
**VSWR :** 1.8:1 max  
**Impedance :** 50 Ohm  
**Polarization :** Linear vertical  
**HPBW/Horizontal :** 360°  
**HPBW/Vertical :** 25°  
**Power handling :** 20w(cw)  
**Connector :** N female  
**Survival wind speed :** 180Km/hr  
**Temperature :** -40°c to + 80°c  
**Humidity :** 100%@25°c  
**Lightning Protection :** DC ground(optional)  
**Radome color :** Gray-white  
**Radome material :** Fiberglass  
**Weight :** 380g  
**Dimensions :** H550\* W81 \* D78m/m

