

433Mhz RFID Antenna

PUCKY MG
Ref. ACIOM72

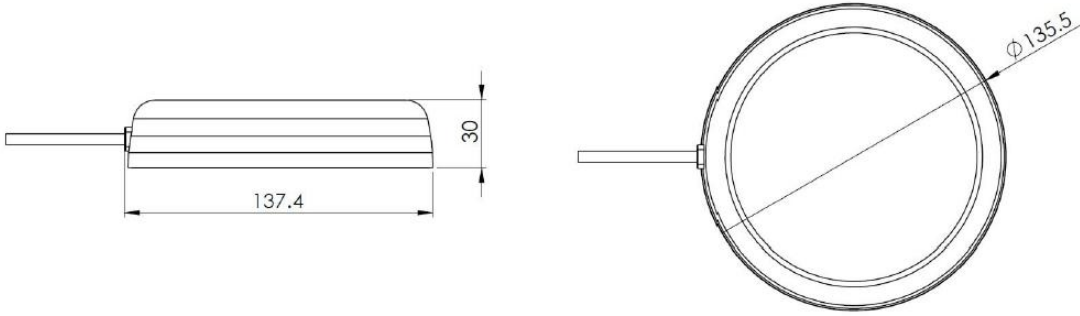


PUCKY SL
Ref. ACIOM73



- 👁️ **Powerful antenna for TELEMATICS application in harsh environment**
- 👁️ **Omnidirectional antenna**
- 👁️ **Flat and discreet form factor**
- 👁️ **Waterproof**

Electrical Data	
Bandwith	433 Mhz
Omnidirectional	360°
Gain	+6 dBi
Impedance	50 Ω
VSWR (standing wave ratio)	< 2 :1
Polarisation	Linear
Temperature	-40°C to +85°C
Mechanical Data	
Coaxial cable with SMA connector	2,50 m
For inside and outside	Waterproof
Material	ABS lid Seal : TPE Base : ZAMAK
Housing color	Black

Mechanical Data	
PUCKY Ground Plane and Magnetic Mounting base (MG version)	
Antenna dimension	H : 30 mm Ø 135,5 mm
	
PUCKY Through Base Nut System (SL version)	
Antenna dimension	H : 49,5 mm Ø 142,5 mm
Traversing base to screw. Drilling diameter min	M14x1
